



SR31 SERIES

The **SR31** series is composed of fork sensors with infrared LED emission, distinguished by an elevated 10kHz switching frequency and by a sturdy and compact metal housing.

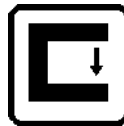
The detection sensitivity is adjusted by means of a trimmer. The dark/light operating mode is configured according to the connection.

The series includes M8 connector versions with NPN output, or PNP output; cable versions present both NPN/PNP outputs.

The **SR31** sensors have a 30 mm wide and 42 mm deep fork. These sensors are suitable for detecting opaque labels on a transparent support, to control material presence and continuity, to detect synchronism pulses on toothed or holed wheels, or as on-off edge guide.



SENSOR



HIGHLIGHTS

- Infrared LED emission
- Sensitivity trimmer adjustment
- Elevated switching frequency
- Metal housing with wide fork

APPLICATIONS

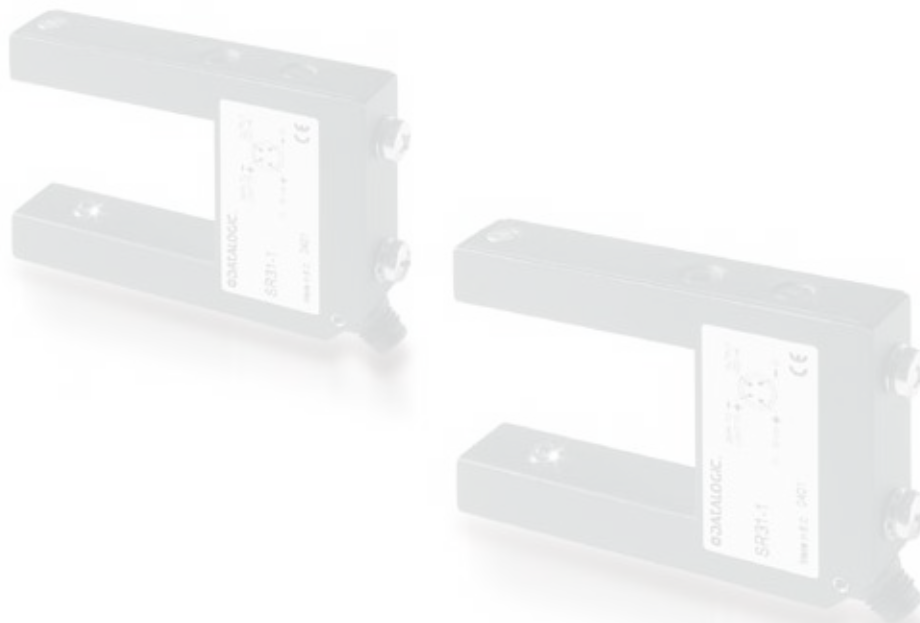
Labeling machines



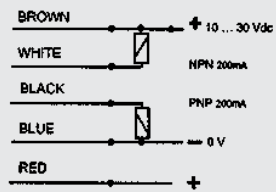
Packaging lines

TECHNICAL DATA

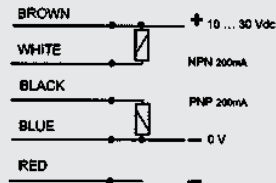
Power supply	10...30 Vdc, reverse polarity protection
Consumption	50 mA max.
Light emission	infrared LED 880 nm
Resolution	2 mm
Fork width	30 mm
Fork depth	42 mm
Detection point depth	12 mm
Setting	multi-turn sensitivity trimmer
Indicators	red OUTPUT LED
Output type	NPN or PNP (connector vers.) NPN and PNP (cable vers.) Rpull-down/up 10 kW
Saturation voltage	0.8 V max. (NPN vers.) 2 V max. (PNP vers.)
Output current	200 mA max.,
Response time	50 μ s max.
Switching frequency	10 kHz max.
Operating mode	dark/light configurable
Connection	4-pole M8 connector 2 m \varnothing 5 mm cable
Electrical protection	class 1
Mechanical protection	IP60
Housing material	ZAMA
Lens material	glass
Weight	100 g max.
Operating temperature	-10...+60°C
Storage temperature	-20...+70°C
Reference standard	EN 60947-5-2
Certifications	CE



CONNECTIONS

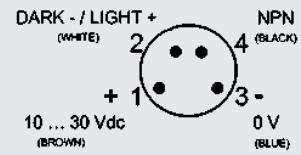


LIGHT MODE

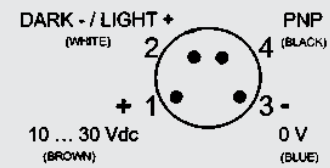


DARK MODE

M8 CONNECTOR



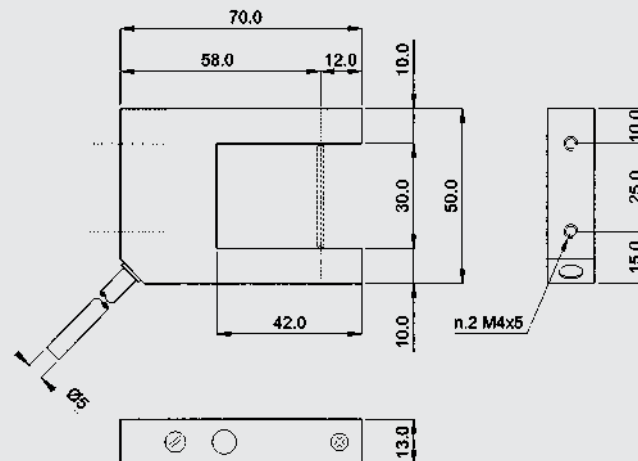
NPN OUTPUT (SR31-0)



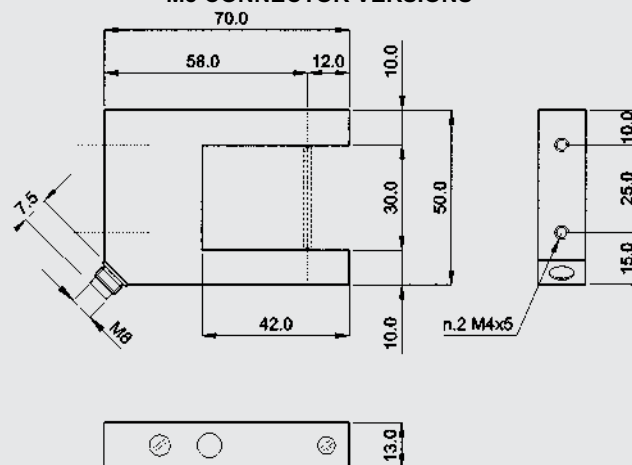
PNP OUTPUT (SR31-1)

DIMENSIONS

CABLE VERSIONS



M8 CONNECTOR VERSIONS



mm

MODEL SELECTION AND ORDER INFORMATION

MODEL	CONNECTION	OUTPUT	CODE N°
SR31	cable	NPN/PNP	S970830000
SR31-0	M8 connector	NPN	S970830101
SR31-1	M8 connector	PNP	S970830201